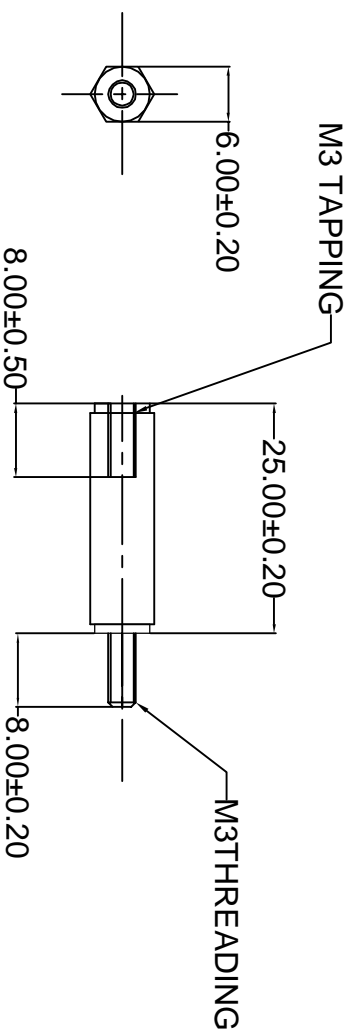

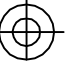


AVAILABLE SIZES

A/F	L	THREADING	PART CODE
6	10	M3	AENS6310
6	12	M3	AENS6312
6	15	M3	AENS6315
6	20	M3	AENS6320
6	25	M3	AENS6325



ANAND Enterprises		TOLERANCE UNLESS OTHERWISE STATED		± 0.2
HEAT TREATMENT	NA			ANGLE $+0.10^\circ$
MATERIAL	NYLON 66 BLACK	DATE	31.10.2021	UNIT MM
TITLE	NYLON STUD	DRG.NO.	0505	QTY.
		SCALE 5:1	SHEET 1 OF 1	